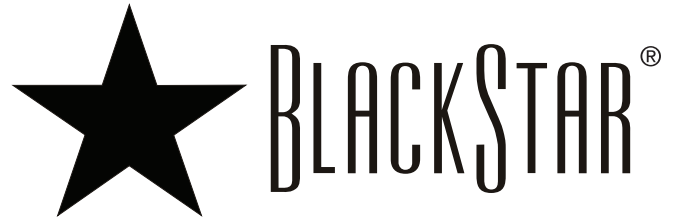


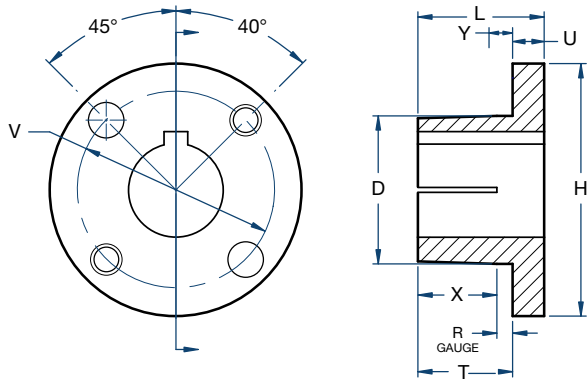
Bushings



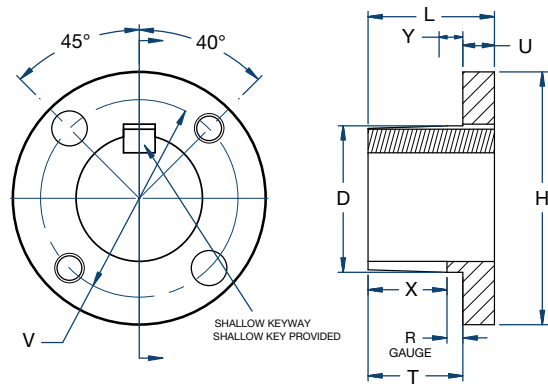
SPLIT TAPER STYLE Type G-R Bushings

G and H Bushings

TYPE 1

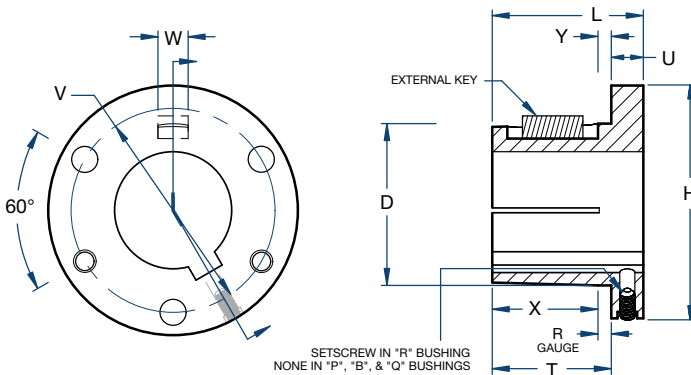


TYPE 2

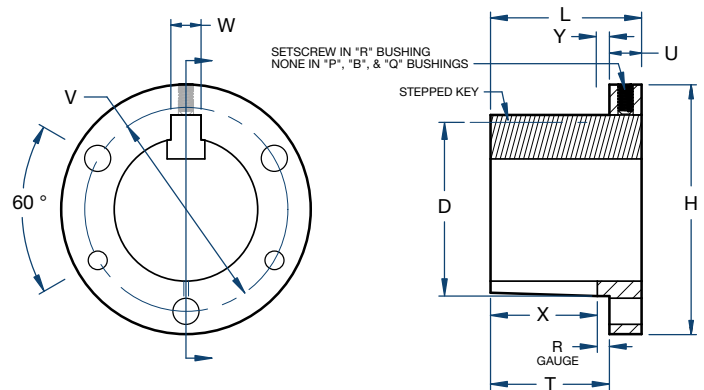


P, B, Q, and R Bushings

TYPE 1



TYPE 2

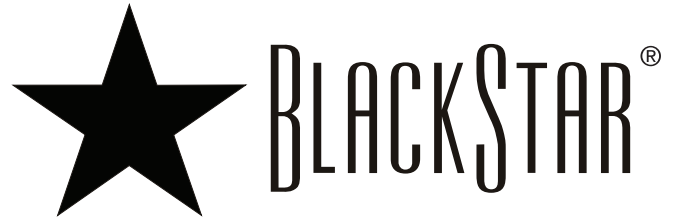


Bushing Type	Dimensions (in)										Bolt Circle (V)	Stock Bore Range (in)				Cap Screws			Wrench Torque (in-lbs)	Avg. Weight (lbs)
	L	U	T	D		H	W	X	Y	R		Type 1		Type 2		# of Screws	Thread Dia. (in)	Length (in)		
				Large End	Small End							Min.	Max.	Min.	Max.					
G	1	1/4	3/4	1.172	1.133	2	—	5/8	3/16	1/8	1-9/16	3/8	15/16	—	1	2	1/4	5/8	95	0.5
H	1-1/4	1/4	1	1.625	1.570	2-1/2	—	7/8	3/16	1/8	2	3/8	1-3/8	1-7/16	1-1/2	2	1/4	3/4	95	0.8
P1	1-15/16	13/32	1-17/32	1.938	1.856	3	3/8	1-5/16	7/32	7/32	2-7/16	1/2	1-7/16	1-1/2	1-3/4	3	5/16	1	192	1.3
P2	2-15/16	13/32	2-17/32	1.938	1.793	3	3/8	2-5/16	7/32	7/32	2-7/16	3/4	1-7/16	1-1/2	1-3/4	3	5/16	1	192	1.5
P3	4-7/16	13/32	4-1/32	1.938	1.699	3	3/8	3-13/16	7/32	7/32	2-7/16	1-1/8	1-3/8	—	1-5/8	3	5/16	1	192	2
B	1-15/16	1/2	1-7/16	2.625	2.557	3-11/16	1/2	1-3/16	7/32	1/4	3-1/8	1/2	1-15/16	2	2-7/16	3	5/16	1-1/4	192	1.8
Q1	2-1/2	17/32	1-31/32	2.875	2.766	4-1/8	1/2	1-3/4	7/32	7/32	3-3/8	3/4	2-1/16	2-1/8	2-11/16	3	3/8	1-1/4	348	3.5
Q2	3-1/2	17/32	2-31/32	2.875	2.703	4-1/8	1/2	2-3/4	7/32	7/32	3-3/8	1	2-1/16	2-1/8	2-5/8	3	3/8	1-1/4	348	4.5
Q3	5	17/32	4-15/32	2.875	2.609	4-1/8	1/2	4-1/4	7/32	7/32	3-3/8	1-3/8	2-1/16	2-1/8	2-1/2	3	3/8	1-1/4	348	5.5
R1	2-7/8	5/8	2-1/4	4.000	3.875	5-3/8	3/4	2	1/4	1/4	4-5/8	1-1/8	2-13/16	2-7/8	3-3/4	3	3/8	1-3/4	348	7.5
R2	4-7/8	5/8	4-1/4	4.000	3.750	5-3/8	3/4	4	1/4	1/4	4-5/8	1-3/8	2-13/16	2-7/8	3-5/8	3	3/8	1-3/4	348	11

'Y' is bushing distance from hub after mounting.

Taper on all Blackstar bushings are 3/4" per foot on diameter.

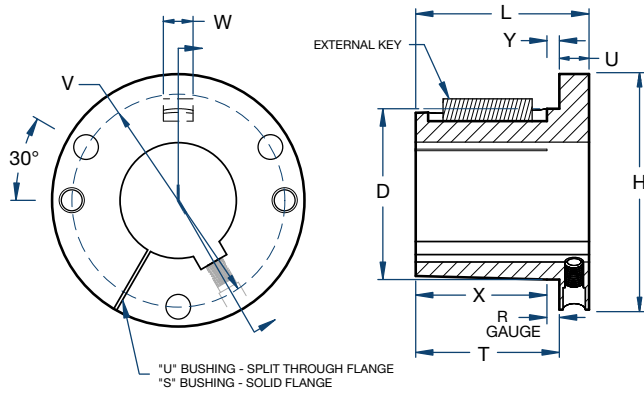
Bushings



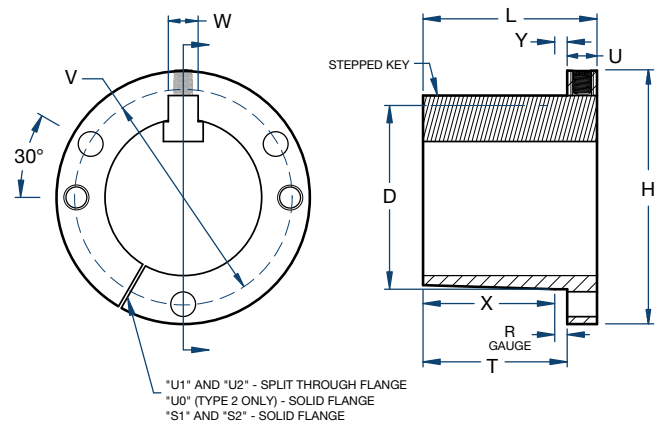
SPLIT TAPER STYLE Type S-Y Bushings

S and U Bushings

TYPE 1

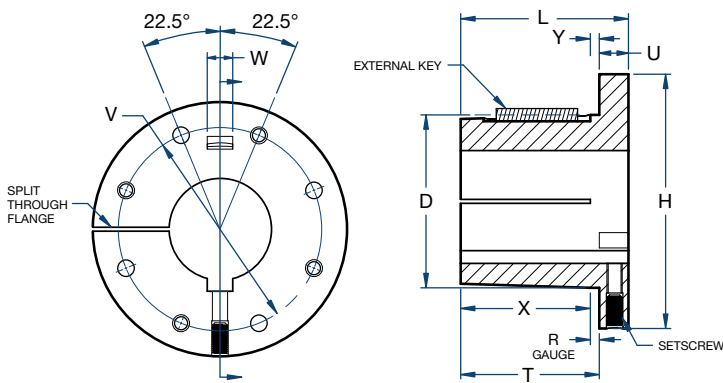


TYPE 2

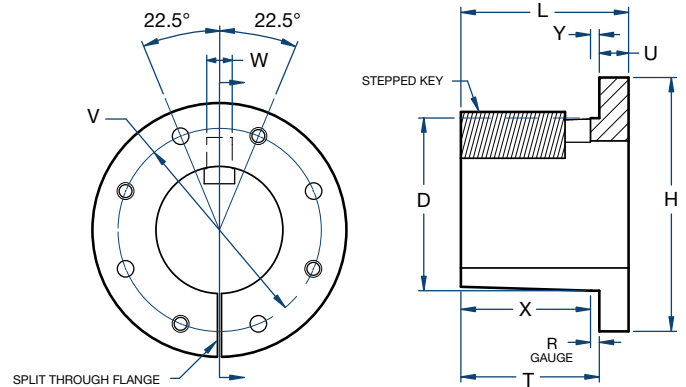


W and Y Bushings

TYPE 1



TYPE 2



Bushing Type	Dimensions (in)										Bolt Circle (V)	Stock Bore Range (in)				Cap Screws			Wrench Torque (in-lbs)	Avg. Weight (lbs)
	L	U	T	D		H	W	X	Y	R		Type 1		Type 2		# of Screws	Thread Dia. (in)	Length (in)		
				Large End	Small End							Min.	Max.	Min.	Max.					
S1	4-3/8	3/4	3-5/8	4.625	4.418	6-3/8	3/4	3-5/16	5/16	5/16	5-3/8	1-11/16	3-3/16	3-1/4	4-1/4	3	1/2	2-1/4	840	13.5
S2	6-3/4	3/4	6	4.625	4.270	6-3/8	3/4	5-11/16	5/16	5/16	5-3/8	1-7/8	3-3/16	3-1/4	4-3/16	3	1/2	2-1/4	840	19
U0	5-1/4	1-1/16	4-3/16	6.000	5.766	8-3/8	1-1/4	3-3/4	7/16	7/16	7	2-3/8	3-1/16	-	-	3	5/8	2-3/4	1680	30
U0	4-15/16	3/4	4-3/16	6.000	5.766	8-3/8	1-1/4	3-3/4	7/16	7/16	7	3-1/4	4-1/4	4-3/8	5-1/2	3	5/8	2-3/4	1680	27
U1	7-1/8	1-1/16	6-1/16	6.000	5.649	8-3/8	1-1/4	5-5/8	7/16	7/16	7	2-3/8	4-1/4	4-3/8	5-1/2	3	5/8	2-3/4	1680	40
U2	10-1/8	1-1/16	9-1/16	6.000	5.461	8-3/8	1-1/4	8-5/8	7/16	7/16	7	2-7/16	4-1/4	4-3/8	5	3	5/8	2-3/4	1680	50
W1	8-1/4	1-7/16	6-13/16	8.500	8.102	12-1/2	1-1/4	6-3/8	7/16	7/16	10	3-3/8	6-3/16	6-1/4	7-7/16	4	3/4	3	3000	104
W2	11-1/4	1-7/16	9-13/16	8.500	7.914	12-1/2	1-1/4	9-3/8	7/16	7/16	10	3-3/8	6-3/16	6-1/4	7-7/16	4	3/4	3	3000	133
Y0	11-1/8	2	9-1/8	12.000	11.469	16-1/2	2	8-1/2	5/8	5/8	14-1/2	6	7-15/16	8	10	4	1	5	7200	270

'Y' is bushing distance from hub after mounting.
Taper on all Blackstar bushings are 3/4" per foot on diameter.